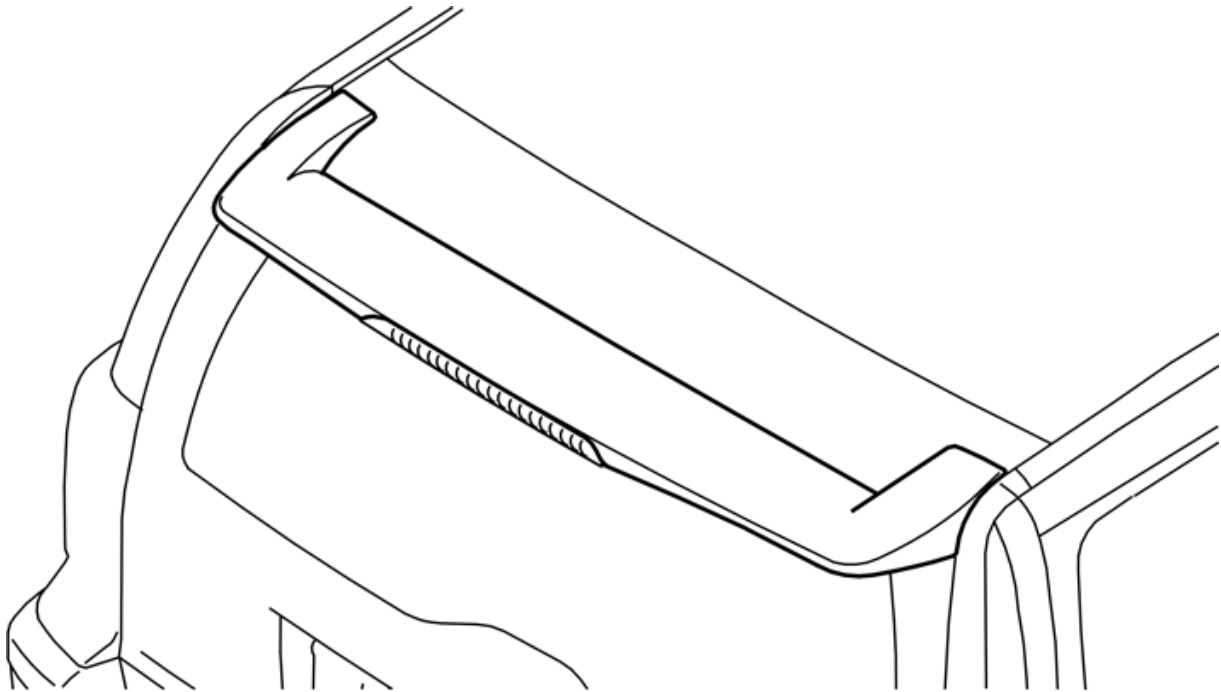




Instruction No	Version	Part. No.
30664254	1.0	

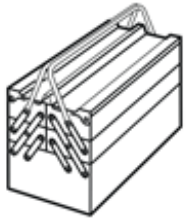
## Roof spoiler with stop lamps



M8400560



## Equipment



A0000162



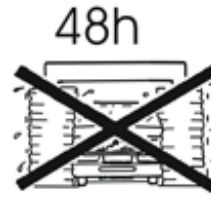
A0000163



Nm  
lbf.ft  
A0000161



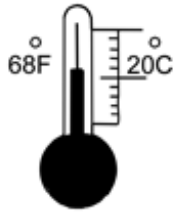
A0000180



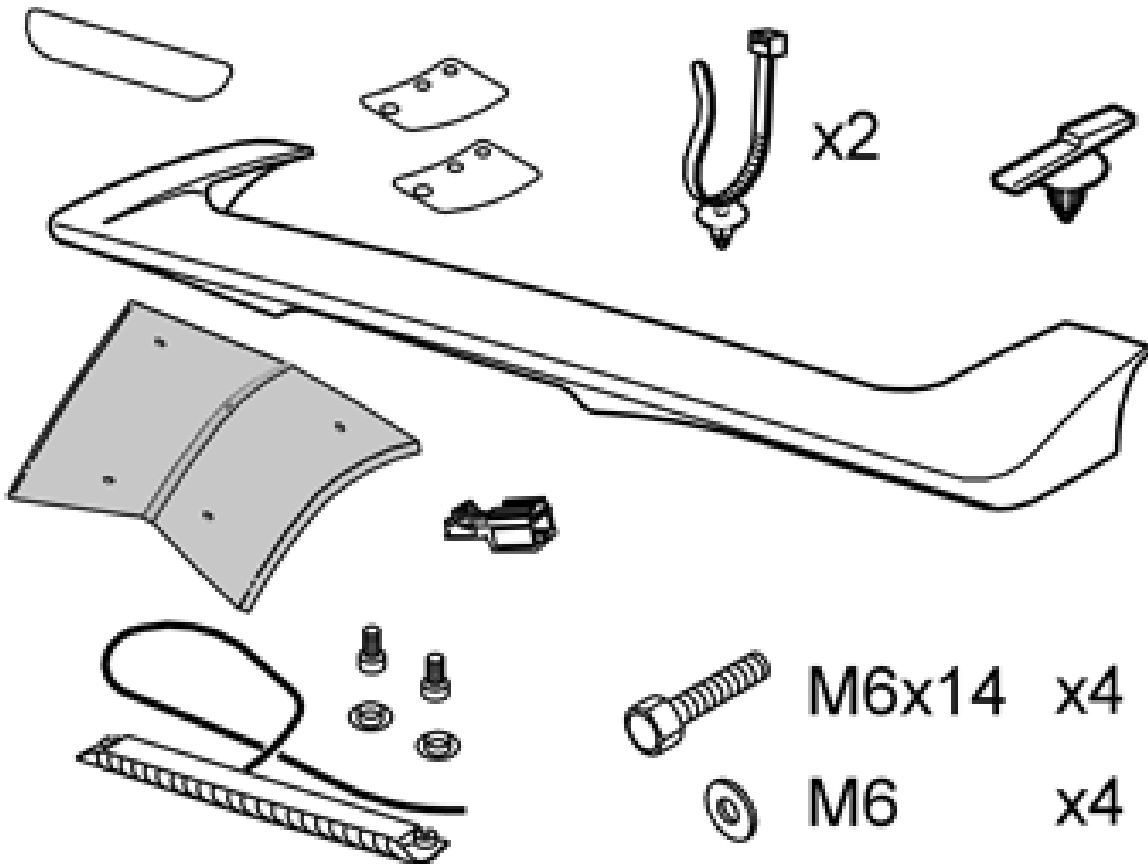
48h  
A0000214



2 h  
A0000177



M0000232



M8903187

## INTRODUCTION

Read through all of the instructions before starting installation.

Notifications and warning texts are for your safety and to minimise the risk of something breaking during installation.

Ensure that all tools stated in the instructions are available before starting installation.

Certain steps in the instructions are only presented in the form of images. Explanatory text is also given for more complicated steps.

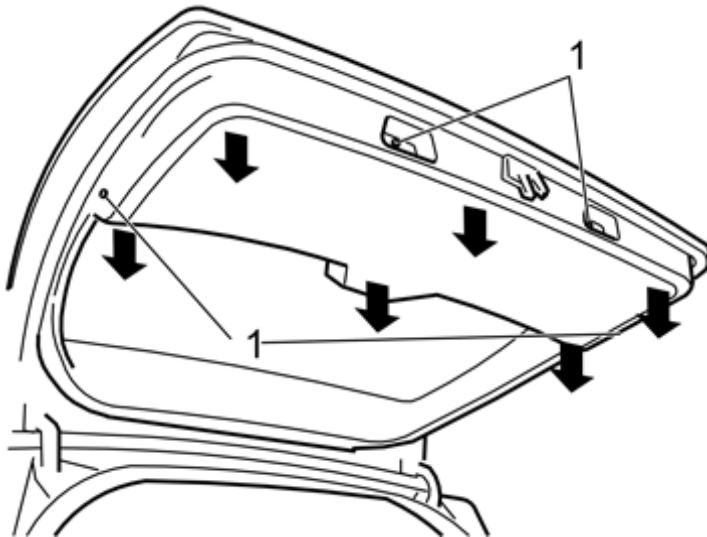
In the event of any problems with the instructions or the accessory, contact your local Volvo dealer.

1

### Applies to primed roof spoilers

Spray paint according to the Service Manual "Touch up spraying", section 8 (80).

2



M8301671

Open the tailgate

Remove the four screws (1) from the lower section of the panel on the tailgate

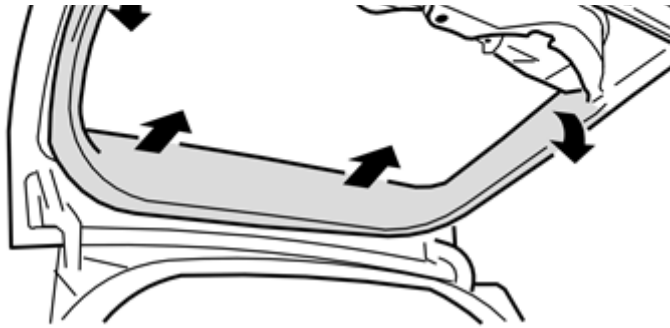
Grasp the edges of the panel. Carefully pull off the panel. The panel is secured by eight clips.

3



Pull down the sides of the panel around the tailgate window to release it from the two clips

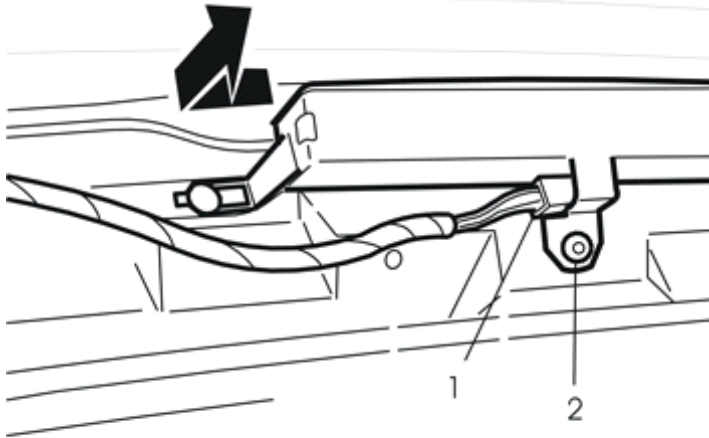
Grasp the upper section of the panel. Carefully pull the upper section of the panel to release the clips



Place the panel to one side.

M8301672

4



Remove the connector (1) from the brake lamp

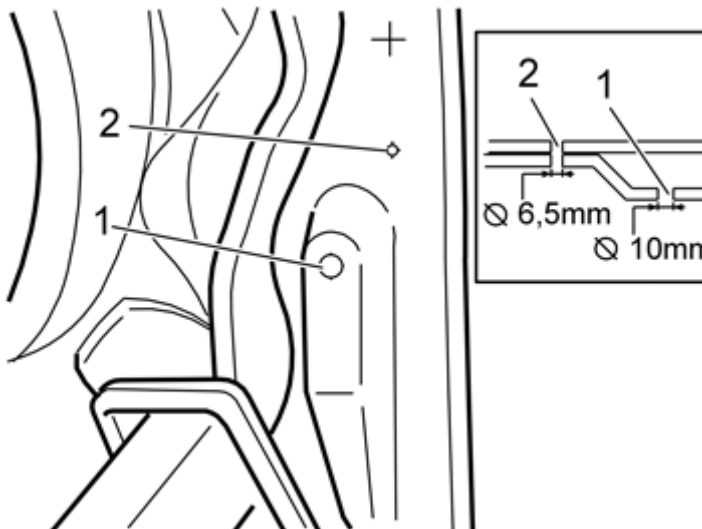
Press the centre of the clip (2) until a click is heard

Remove the clip

Slide the brake lamp to the left to release it from the guide holes.

M3903031

5A



### Pre-drilling

Punch and drill the hole (1) following the existing marking. Use a 3 mm (1/8") diameter drill bit.

#### Note!

Drill only through the first layer of plastic. Drill at right angles to the surface. Use a drill stop.

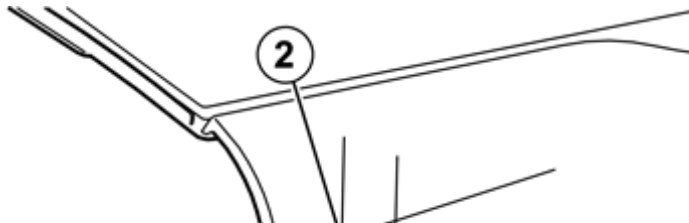
Repeat the operation on the other side of the tailgate

Close the boot lid

Mark the hole (2) so that it can be drilled for the cable for the spoiler mounted brake lamp. See illustration B

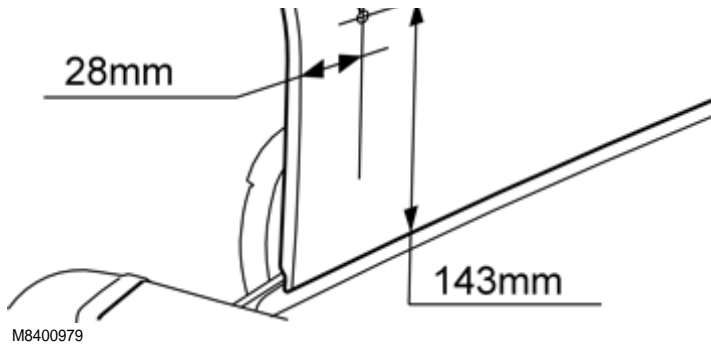
M8400945

5B



Punch and drill the hole (2) on the right-hand side following the existing marking. Use a 3 mm (1/8") drill bit. Drill at right-angles to the surface. Drill through both plastic layers. The hole is for the cable lead-in.

### Hole enlarging



M8400979

Open the tailgate

Drill out the hole (1) using a 10 mm diameter (25/64") drill bit on the left and right-hand sides.

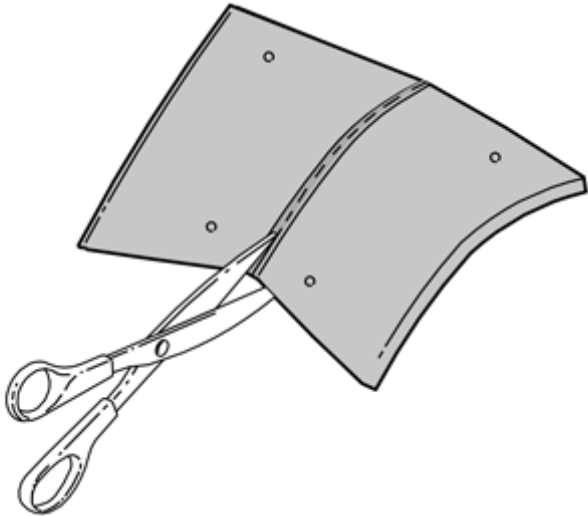
**Note!**

Drill only through the first layer of plastic. Drill at right angles to the surface. Use a drill stop.

Close the boot lid

Drill out the hole (2) on the right-hand side. Use a 6.5 mm (17/64") diameter bit. Drill at right angles to the surface. Drill through both plastic layers.

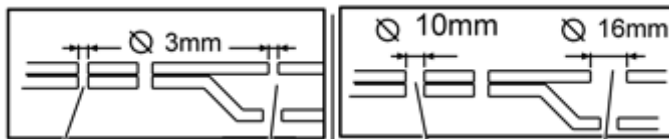
6



M8400864

Take the left and right drilling templates from the kit. Use scissors to cut the templates apart as illustrated.

7

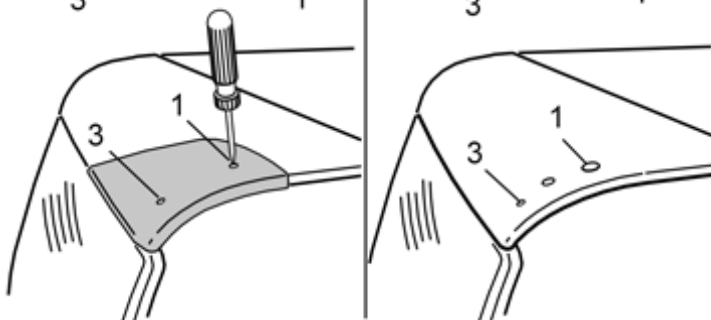


3

1

3

1



M8400946

**Pre-drilling**

Place the left template on the upper left corner of the tailgate. See the illustration

Mark both holes through the template and inside the tailgate using an awl

Drill the markings at right angles to the surface. Use a 3 mm (1/8") diameter drill bit.

**Note!**

Only drill through the first plastic layer at the hole (1). Use a drill stop. Drill through both layers at the hole (3).

Take the right-hand template and do the same on the other side

of the tailgate.

### Hole enlarging

Drill the hole (1) at right angles to the surface. Use a 16 mm (5/8") diameter hole saw. Only drill through the first plastic layer. Use a drill stop

Drill the hole (3). Use a 10 mm (25/64") diameter hole saw at right angles to the surface. Drill through both plastic layers

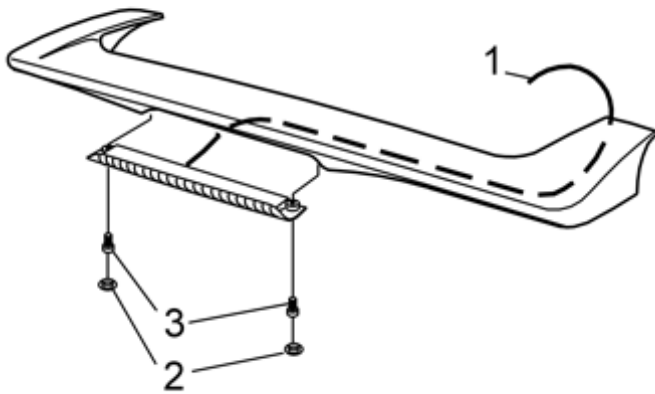
Take the right-hand template and do the same on the other side of the tailgate.

8

Check that the roof spoiler aligns with the drilled holes. Ensure that the screws (from the kit) align with the nuts for the roof spoiler

If necessary: adjust the holes using a round file.

9



Route the cable (1) through the spoiler. Drill at the brake lamp. Thread a piece of wire or a thin plastic rod into the hole for the cable lead-in. Then tape the terminal and the cable to the wire and pull it out through the hole.

#### Note!

Do not damage the pins.

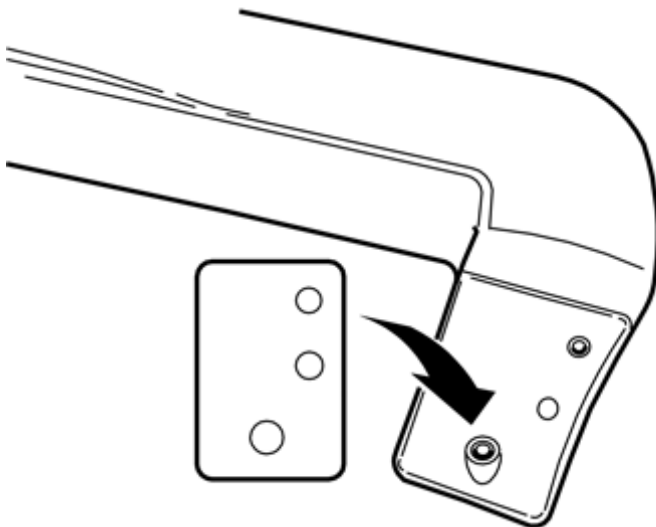
Remove the covers (2)

Install the brake lamp. Use the two screws (3). Tighten to a maximum of 2.5 Nm (2 lbf. ft.). Greater torque may damage the threaded joint

Reinstall the covers.

M8400948

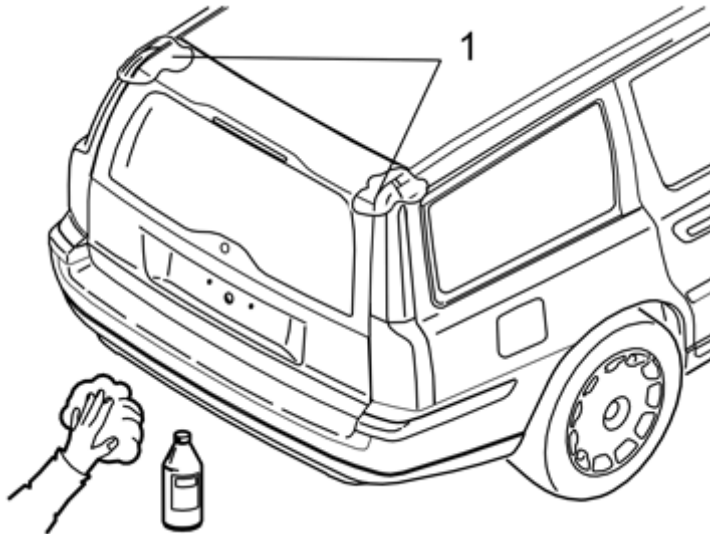
10



Position the tape on the mating surfaces. Press the tape into place. Leave the thick outer protective film in place.

M8400944

11

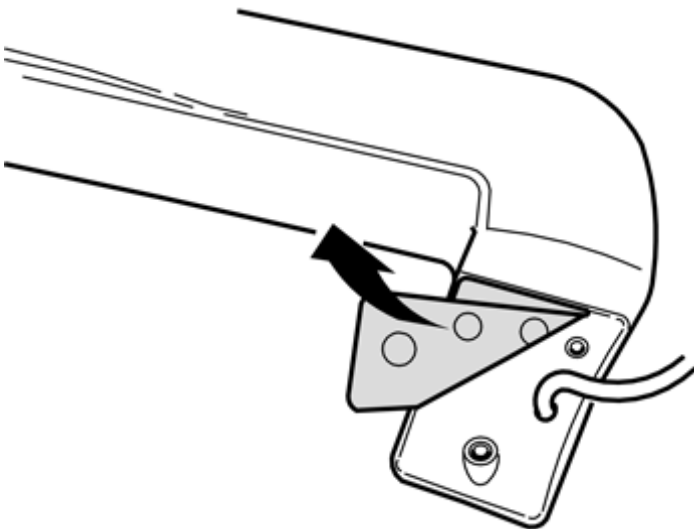


M8000357

Clean the surfaces (1) where the roof spoiler will be positioned. Use a mixture of 30% windscreen washer fluid and 70% water

Wipe dry.

12A



M8400949

12B



**Note!**

To ensure the best results, it is recommended that two people press the roof spoiler onto the tailgate.

**Illustration A**

Remove the protective film from the tape.

**Illustration B**

Insert and pull the brake lamp cable through the hole in the tailgate

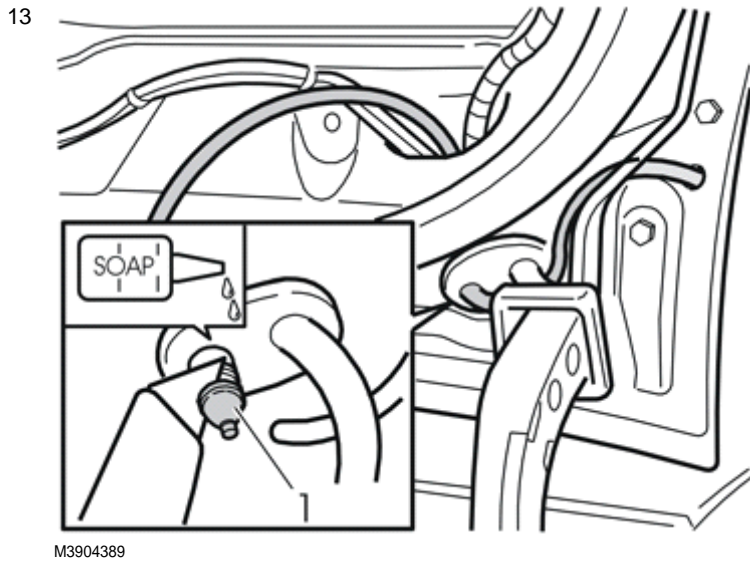
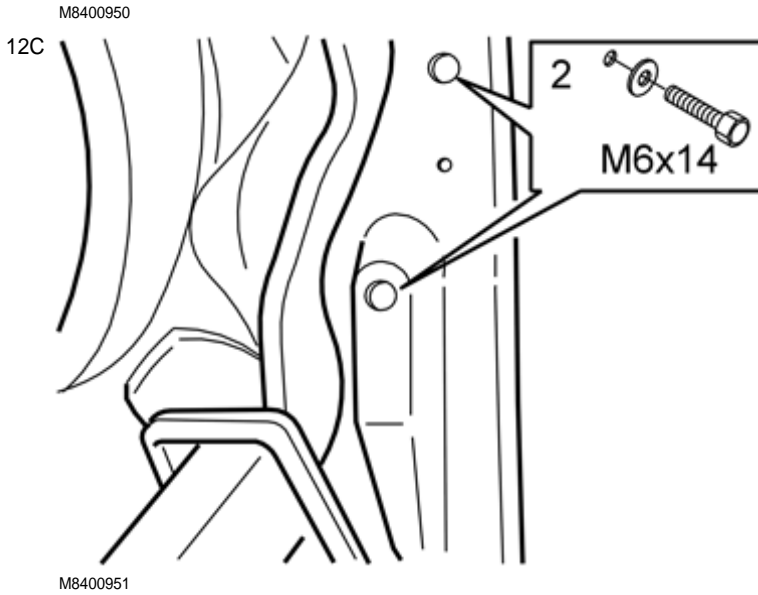
Press the spoiler into place on the tailgate.

**Illustration C**

Install the four screws (from the kit). Tighten the spoiler

Tighten the screws. Tighten to a maximum of  $5 \pm 1$  Nm ( $3.7 \pm 0.7$  lbf. ft.). A greater torque may damage the threaded joint.



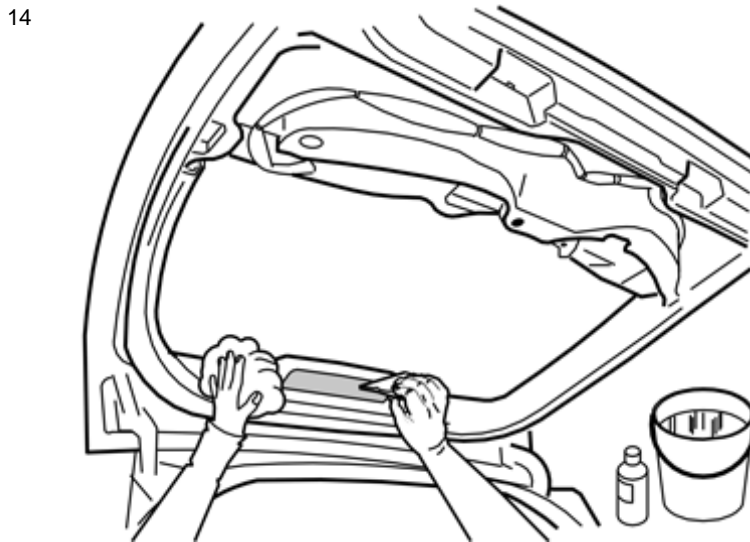


Cut the rubber nipple (1) off the rubber grommet for the brake lamp. Do not damage the existing washer hose

Thread the brake cable from the roof spoiler between the hinges and tailgate behind the existing washer hose. Thread the brake cable through the hole in the rubber grommet and out of the hole in the corner of the tailgate.

**Hint**

Use soap to facilitate the lead-in.



Clean the rear windscreen by the brake lamp socket

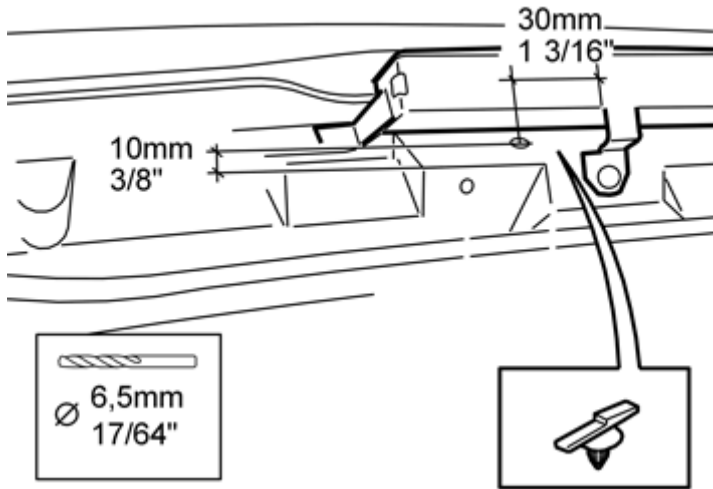
Wet the window. Soak the tape which will cover the socket. Use a mixture of 30% windscreen washer fluid and 70% water

Apply the tape over the socket. Press out the water and air bubbles. Use a plastic card or similar

Reinstall the brake lamp.



15



M8400952

**Applies to vehicles manufactured before year 3, week 10**

Drill holes in the tailgate for the attachment of the connector

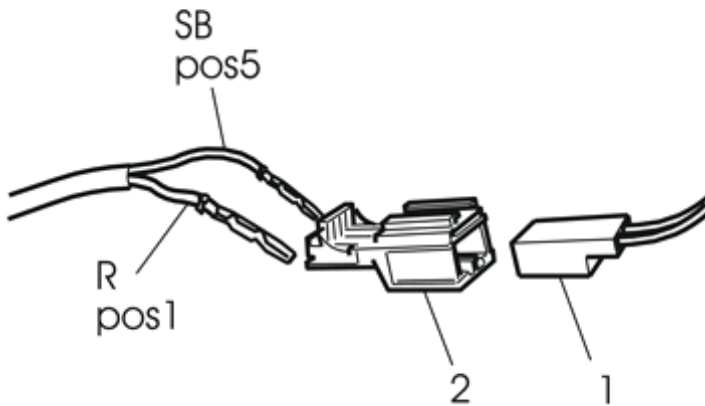
Drill out the holes. Use a 6.5 mm (17/64") diameter drill bit

Press in the holder together with the clip.

**Applies to vehicles manufactured after year 3, week 10**

Press in the holder together with the clip.

16



M3903033

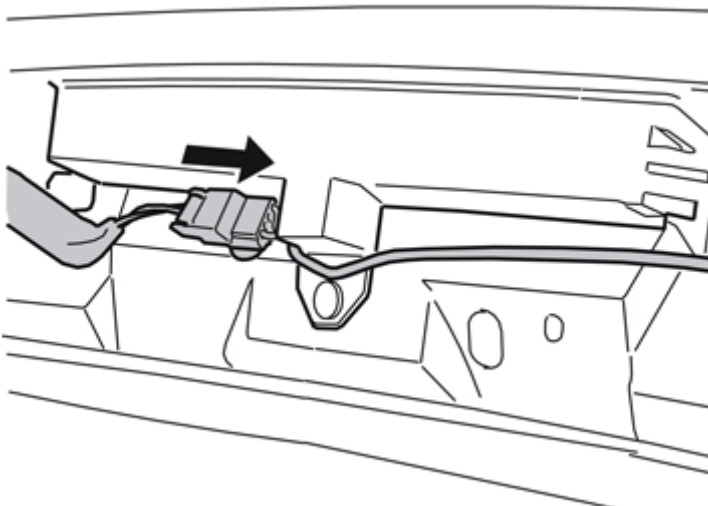
Take the connector (2) from the kit. Open the catch

Connect the cable harness for the spoiler to the connector. Connect the red (R) cable to position 1. Connect the black (SB) cable to position 5

Press the catch together

Connect the existing brake lamp cable (1) to the new connector as illustrated.

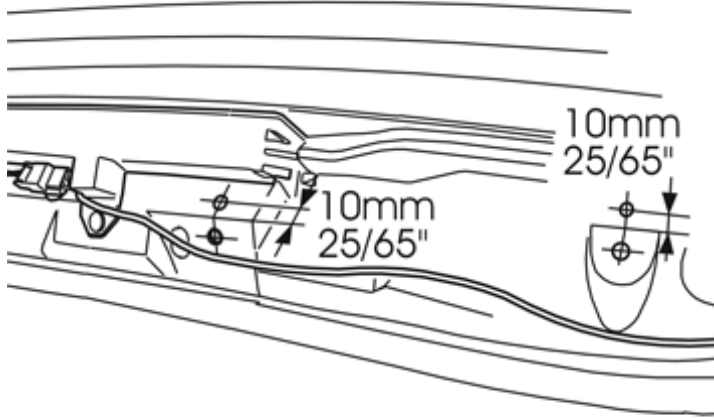
17



Press the connector for the spoiler cable into place in the holder.

M3904391

18



**Applies to vehicles manufactured before year 3, week 10**

Drill a hole in the tailgate to secure the cable for the spoiler mounted brake lamp. See the illustration. Use a 6.5 mm (17/64") diameter drill bit

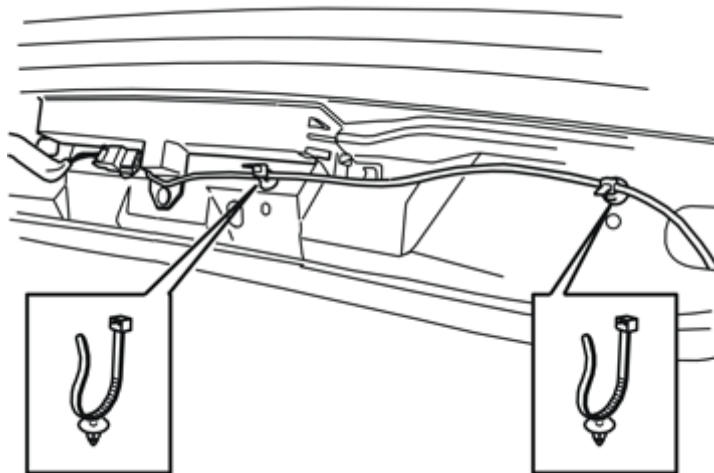
Remove any swarf.

**Note!**

Only drill through the first plastic layer. Use a drill stop.

M3904393

19



Take the two tie straps and clips from the kit and press them into place in the drilled holes

Secure the cables using the tie straps.

M3904390

20

Check the function of the brake lamp

Reinstall the panels on the tailgate

Post-tighten the screws for the spoiler to the correct torque. See point 12C.